

CONTROL VALVES

OIL

ANTIFREEZE

OIL VALVE PA40



APPLICATIONS

Typical applications include non metered dispense of all type of synthetic and mineral oils, hydraulic oils, gear oils, etc. and antifreeze solutions in:

- Car dealerships
- Light, Medium and Heavy Duty truck dealers
- Fleet maintenance
- Mining maintenance
- Public works and construction vehicles maintenance
- Lube trucks
- In-plant applications
- Fast lube shops
- Independent repair facilities
- Small maintenance shops



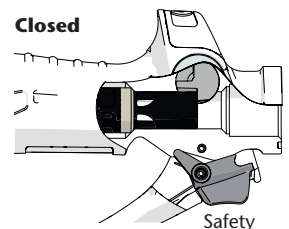
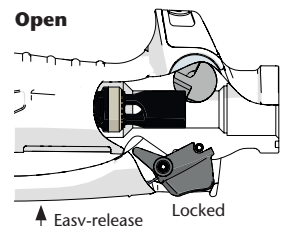
Set of four color coded protectors. PART No. 369 606

MAIN FEATURES AND BENEFITS

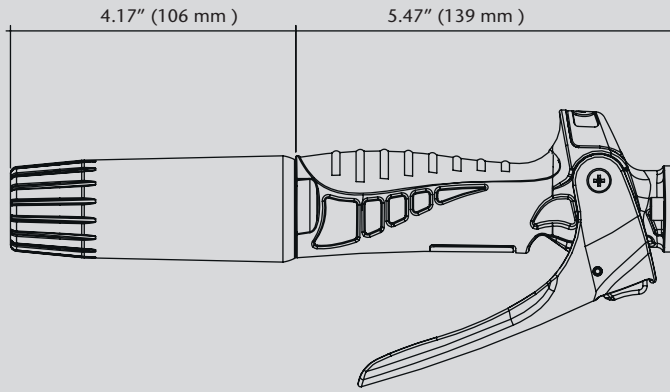
The SAMSON oil dispense valve is designed to fit a wide range of needs from small repair shops to car dealerships, truck, fleet and off-road maintenance facilities. The new dispense valve has new features that contribute to increased efficiency in any dispense application.

EXTRA PERFORMANCE

- Aluminum body with lightweight ergonomic soft grip handle for comfort and precision balance.
- Cam & Piston valve design for superb control and minimum flow resistance.
- Trigger blocking mechanism prevents accidental valve openings when the control handle is not in use.
- Trigger locking mechanism facilitates large fluid deliveries. Locking function can be eliminated by removing one pin under the trigger.
- Large ported ball-bearing swivel with inlet filter.
- Swivel outlet connection covers protect automobiles from nicks and scratches.
- Extensively and rigorously field tested for reliable performance in all shop situations.
- Large range of outlets with non-drip valve to adapt to every situation.

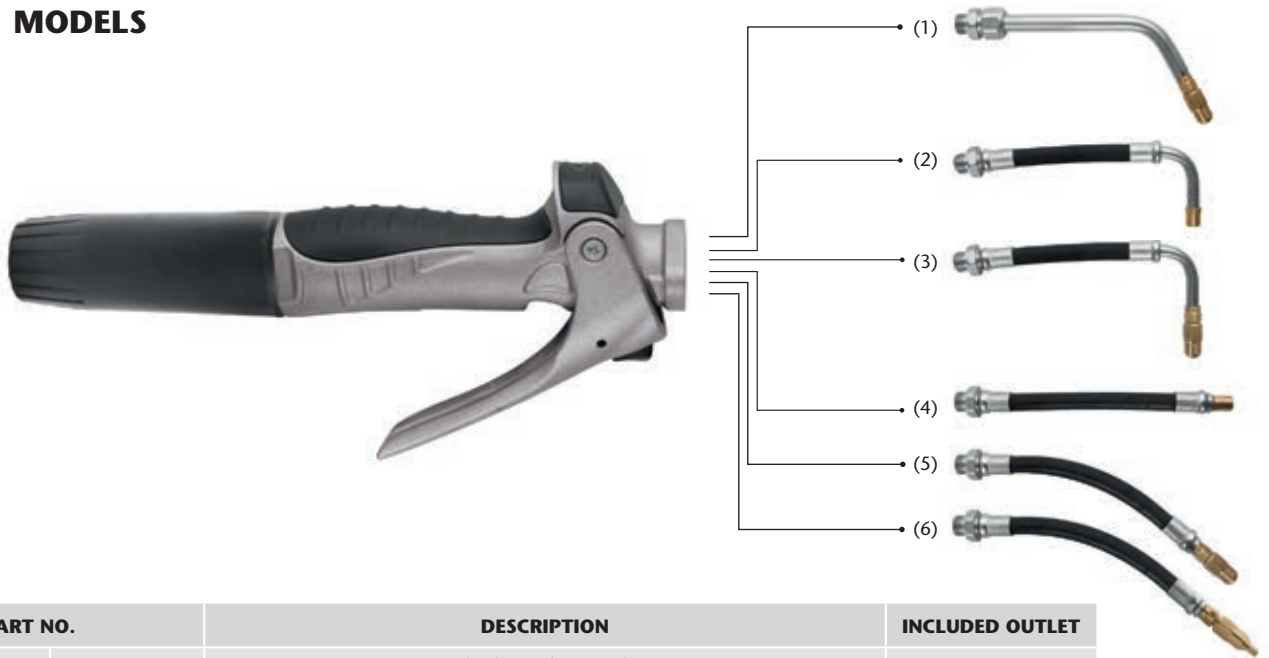


TECHNICAL SPECIFICATIONS



TECHNICAL DATA	
Maximum flow rate	10.5 gal/min (40 l/min) with SAE 30 oil at 70 °F (20° C)
Pressure drop at max. flow	43.5 psi (3 bar)
Maximum working pressure	1,450 psi (100 bar)
Minimum burst pressure	4,500 psi (300 bar)
Operating temperature range	-50 to 160 °F (-45 to 70 °C)
Fluid inlet	1/2" NPT
Fluid outlet	1/2" NPT
Wetted parts	Aluminum, Nylon, TPE, NBR, zinc plated steel
Fluid compatibility	Oil, glycol, anti-freeze
Weight	1 lb (470 gr) - 1.1lb (510 gr) with swivel cover

MODELS



PART NO.		DESCRIPTION	INCLUDED OUTLET	
363 100	1132 (OLD)	Oil valve with no outlet	-	
363 116	1171 (OLD)	Oil valve with 60° rigid outlet and ¼ turn non-drip tip	369 231	(1)
363 115	1130 (OLD)	Oil valve with flexible outlet with 90° tube and automatic non-drip tip	369 229	(2)
363 114	1173 (OLD)	Oil valve with flexible outlet with 90° tube and ¼ turn non-drip tip	369 227	(3)
363 112	1134 (OLD)	Oil valve with flexible outlet and automatic non-drip tip	369 223	(4)
363 117		Oil valve with formable outlet and ¼ turn non-drip tip	369 233	(5)
363 118		Oil valve with formable outlet and ¼ turn narrow non-drip tip	369 240	(6)



SAMSON CORPORATION
 One Samson Way
 Swannanoa, NC 28778, USA
 Tel: (828) 686-8511
 Fax: (828) 686-8533
 info@samsoncorporation.com
 www.samsoncorporation.com