



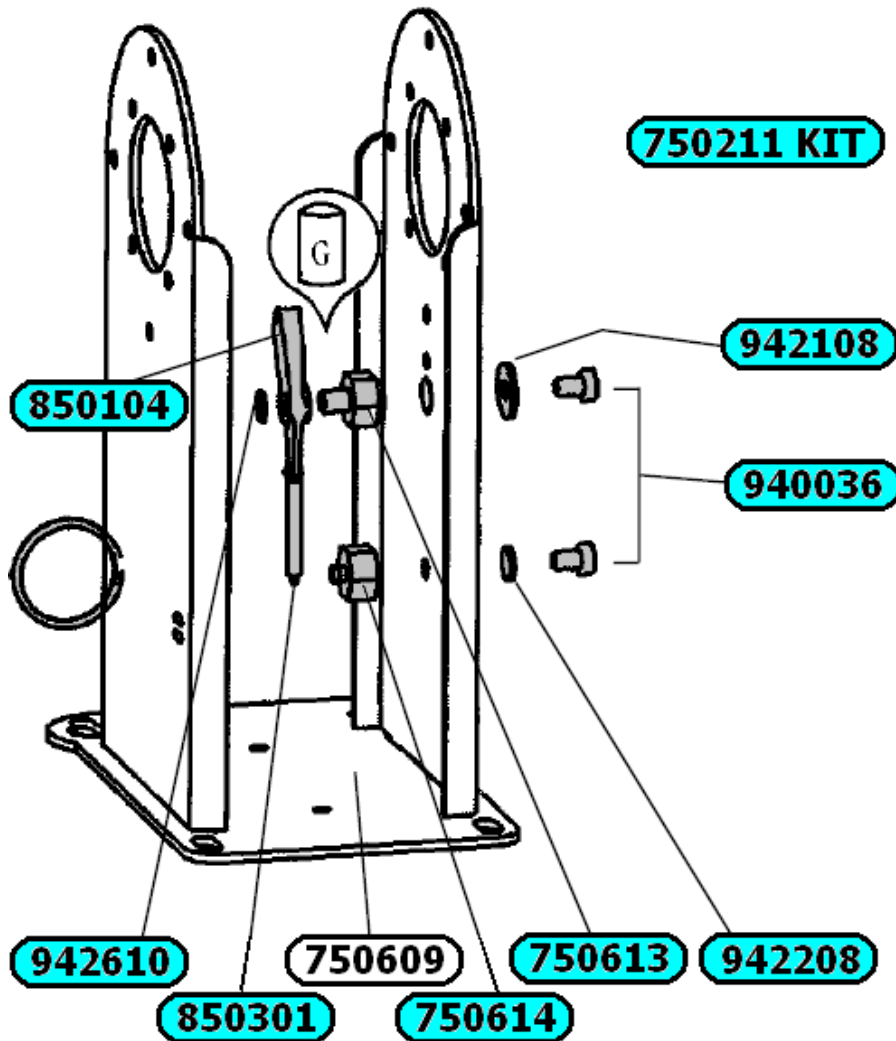
SAMSON
Samson Corp. Swannanoa, NC-USA

1650 SERIES HOSE REEL LATCH KIT

Parts and Technical Service guide
Guía de servicio técnico y recambio
Guide d'instructions et pièces de rechange

Ref.: 750211 KIT

Description/ Descripción/ Description



NOTES!

- 1) The correct 850104 latch pawl has a '1' molded into the body between the spring hole and pivot hole.
- 2) Apply threadlocking compound (24205) to the threads of the pivot bolts (940036).
- 3) Apply grease to the pivot shaft (7506213).